
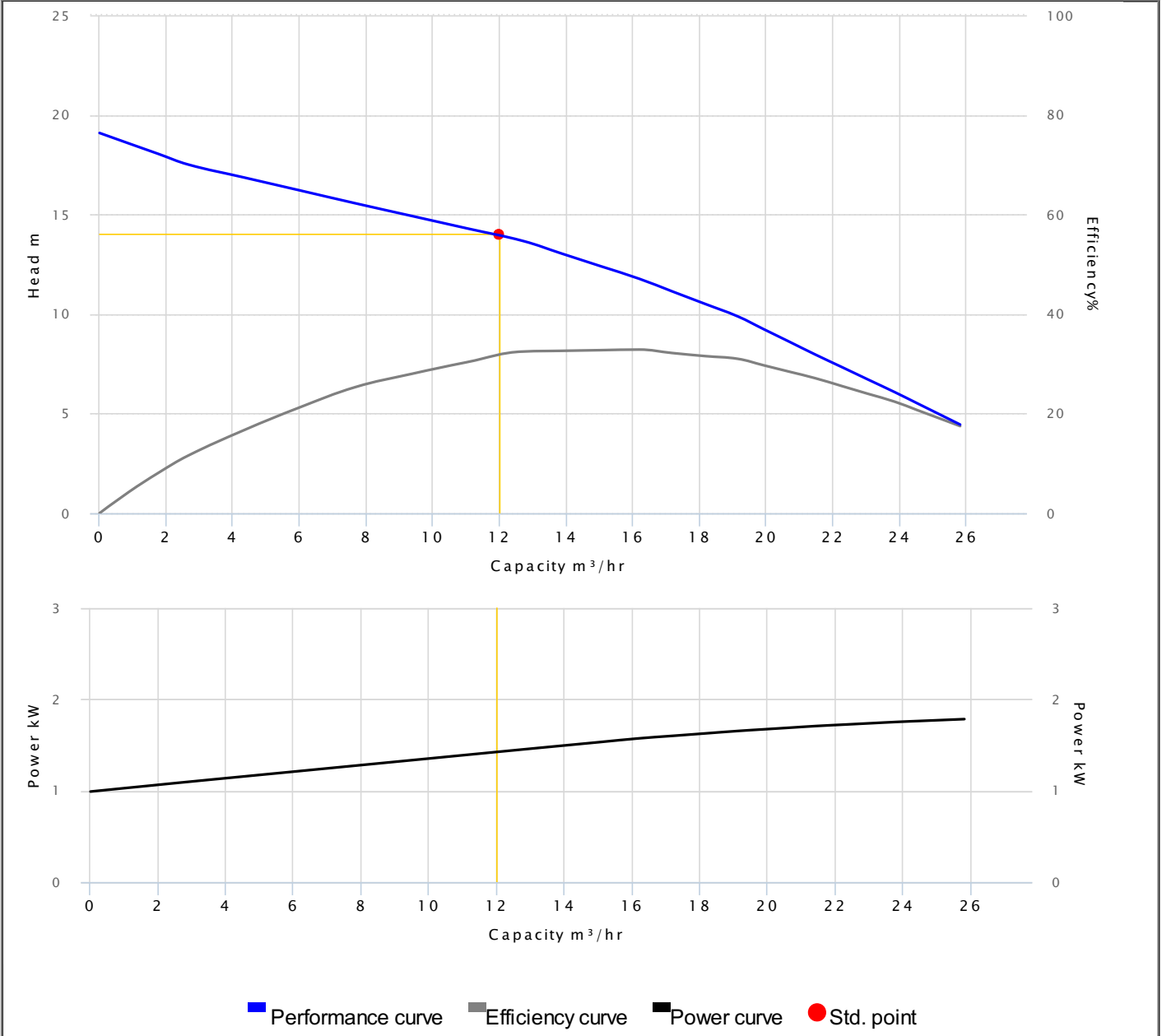




HCP PUMP

PUMP PERFORMANCE CURVES

Model	FN-22U		
Frequency	50 Hz		
Discharge	2" / 50 mm		
Power	2 HP / 1.5 kW		
Std. Head	14 m		
Std. Capacity	12 m ³ /hr		
Phase/Volt	3 Ø / 380 V		
Rated Current	3.60 A		
rpm	2 P / 2820 rpm		
Start Method	DIRECT		
Insulation Class	F		
Solid Passage	35 mm	Output	1.43 kW

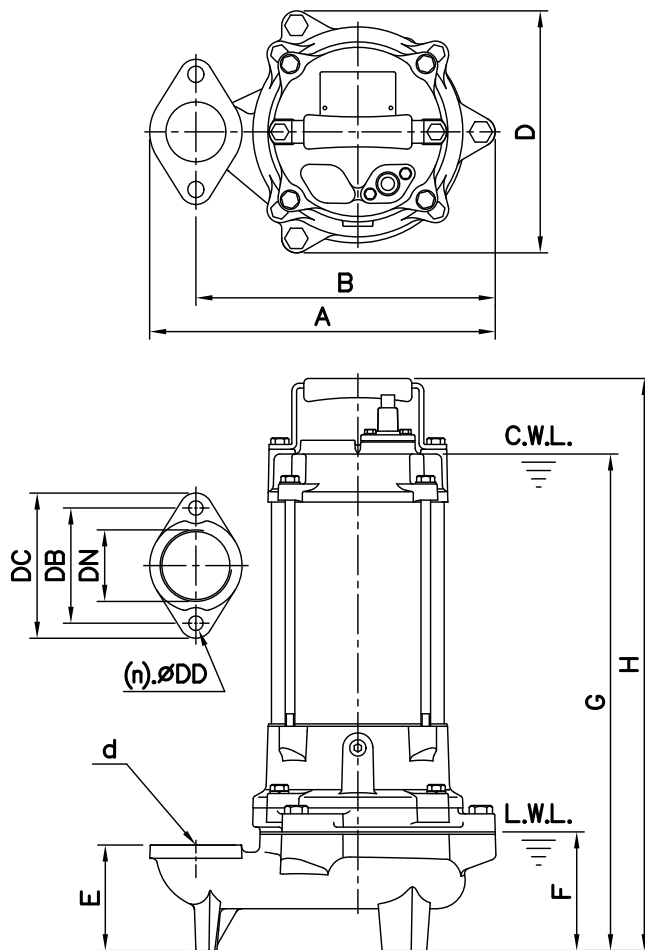


DIMENSIONS

NO: S2FNU215032-00

MODEL: FN-22U

1Ø / 3Ø



Flange	
Female Thread	
PF	NPT

Dimensions-mm

Weight:kg

Model	d	A	B	D	E	F	G	H	WT1	Elbow (Flange)Set	DN	DB	DC	DD	(n)QTY	WT2
FN-22U 1Ø	50	288	250	202	88	100	483	546	30	EF2-96	50	96	121	12	2	1
FN-22U 3Ø	50	288	250	202	88	100	415	477	25	EF2-96	50	96	121	12	2	1

Dimensions-inch

Weight:lb

Model	d	A	B	D	E	F	G	H	WT1	Elbow (Flange)Set	DN	DB	DC	DD	(n)QTY	WT2
FN-22U 1Ø	2	11 ⁵ / ₁₆	9 ³ / ₁₆	7 ¹⁵ / ₁₆	3 ⁷ / ₁₆	3 ¹⁵ / ₁₆	19	21 ¹ / ₂	66	EF2-96	2	3 ³ / ₄	4 ³ / ₄	1/2	2	1
FN-22U 3Ø	2	11 ⁵ / ₁₆	9 ³ / ₁₆	7 ¹⁵ / ₁₆	3 ⁷ / ₁₆	3 ¹⁵ / ₁₆	16 ⁵ / ₁₆	18 ³ / ₄	55	EF2-96	2	3 ³ / ₄	4 ³ / ₄	1/2	2	1

C.W.L.:Continuous Running Water Level
L.W.L.:Lowest Running Water Level

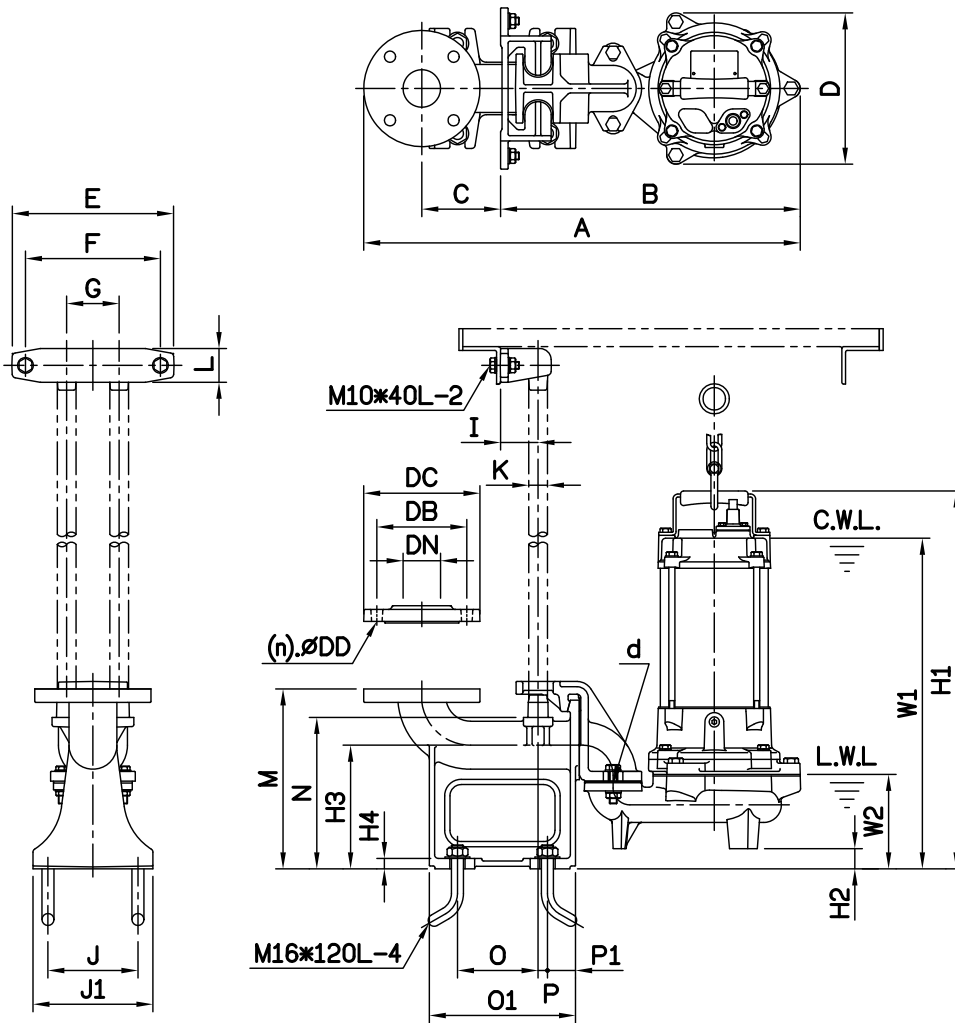
WT1:Pump Weight(Without Cable)
WT2:Elbow Set Weight

DIMENSIONS

NO: T2FNU215032-00

MODEL: FN-22U

1Ø / 3Ø



Flange	
Female Thread	
PT	NPT

Dimensions-mm

Elbow (Flange)Set	DN	DB	DC	DD	(n)QTY
EF2-120	50	120	155	15	4

Dimensions-inch

Elbow (Flange)Set	DN	DB	DC	DD	(n)QTY
EF2-120	2	4¾	6½	¾	4

Dimensions-mm

Model	d	A	B	C	D	E	F	G	I	J	J1	K	L	M	N	O	O1	P	P1	W1	W2	H1	H2	H3	H4	WT1	Weight:kg	
																											GRS Set	WT2
FN-22U 1Ø	50	583	400	105	202	215	180	70	50	120	160	1"	45	240	202	108	195	13	38	510	126	573	27	165	14	30	T50E	17
FN-22U 3Ø	50	583	400	105	202	215	180	70	50	120	160	1"	45	240	202	108	195	13	38	441	126	504	27	165	14	25	T50E	17

Dimensions-inch

Model	d	A	B	C	D	E	F	G	I	J	J1	K	L	M	N	O	O1	P	P1	W1	W2	H1	H2	H3	H4	WT1	Weight:lb	
																											GRS Set	WT2
FN-22U 1Ø	2	22¾	15¾	4½	7½	8½	7½	2¾	1½	4¾	6½	1	1¾	9½	7½	4¼	7½	½	1½	20½	4½	22¾	1½	6½	9½	66	T50E	38
FN-22U 3Ø	2	22¾	15¾	4½	7½	8½	7½	2¾	1½	4¾	6½	1	1¾	9½	7½	4¼	7½	½	1½	17¾	4½	19¾	1½	6½	9½	55	T50E	38

C.W.L.:Continuous Running Water Level
L.W.L.:Lowest Running Water Level

WT1:Pump Weight(Without Cable)
WT2:GRS Set Weight

