
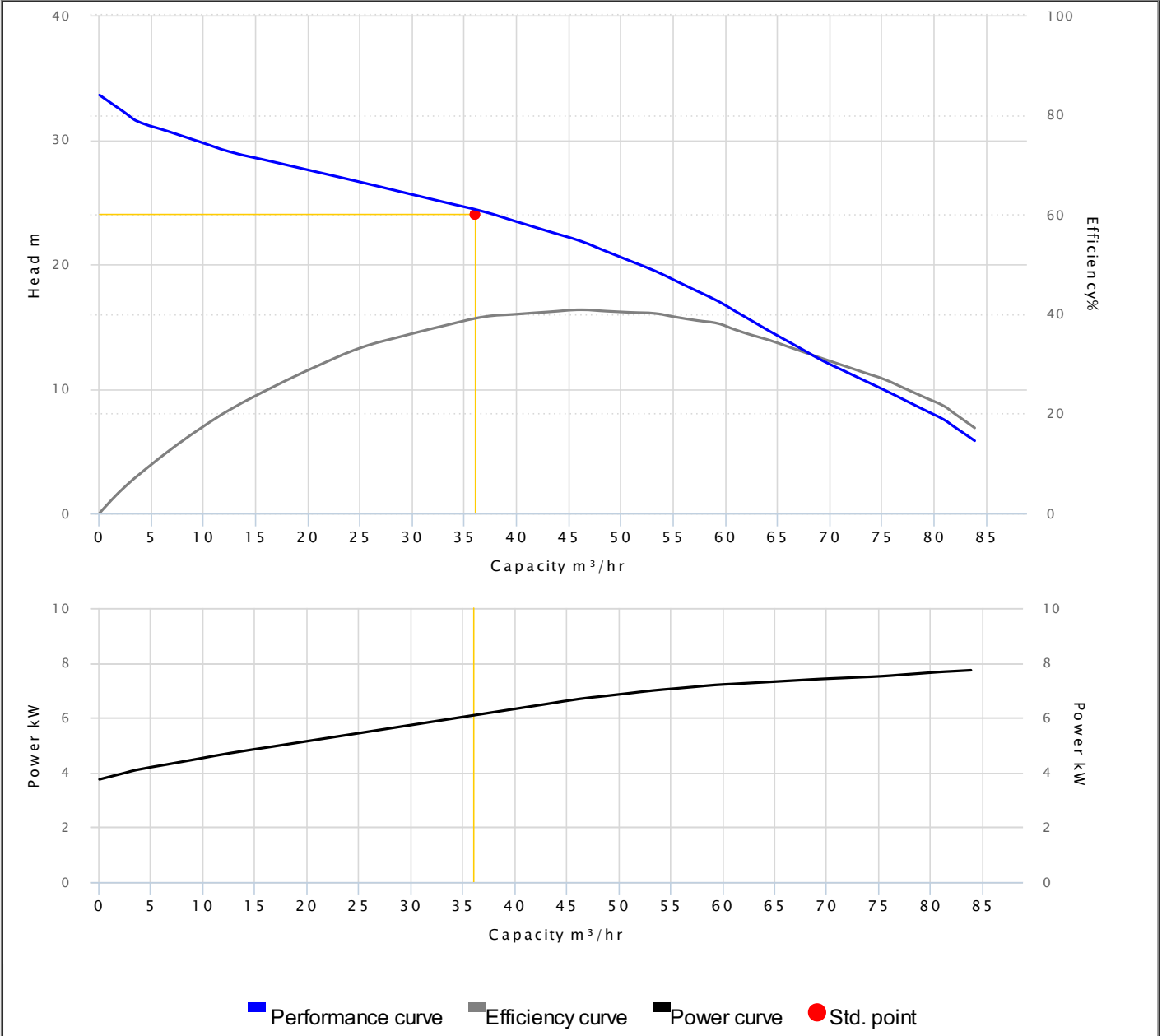


## PUMP PERFORMANCE CURVES

<b>Model</b>	80AFU27.5		
<b>Frequency</b>	50 Hz		
<b>Discharge</b>	3" / 80 mm		
<b>Power</b>	10 HP / 7.5 kW		
<b>Std. Head</b>	24 m		
<b>Std. Capacity</b>	36 m <sup>3</sup> /hr		
<b>Phase/Volt</b>	3 Ø / 380 V		
<b>Rated Current</b>	15.70 A		
<b>rpm</b>	2 P / 2900 rpm		
<b>Start Method</b>	DIRECT		
<b>Insulation Class</b>	H		
<b>Solid Passage</b>	50 mm	<b>Output</b>	6.1 kW

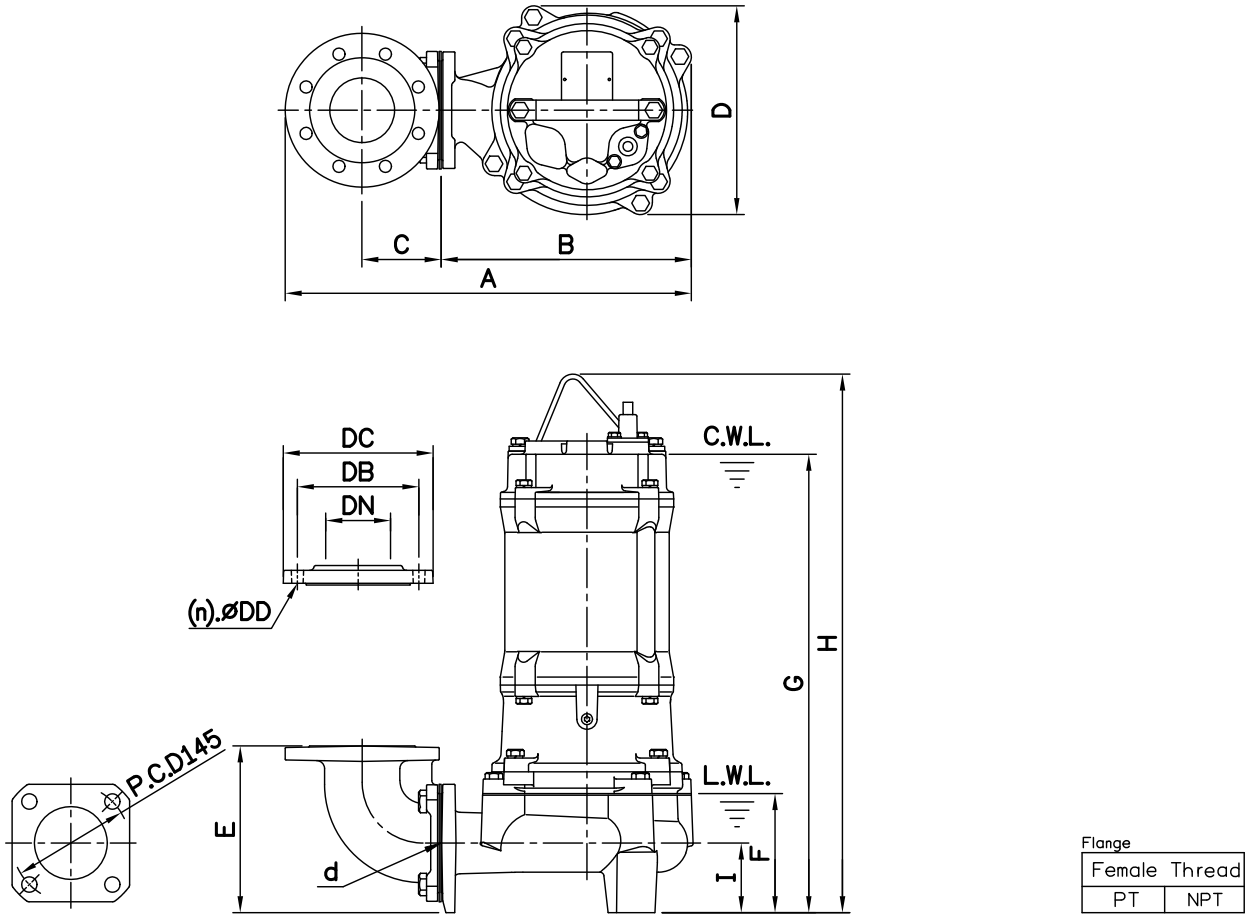


## DIMENSIONS

NO: S3AFU275030-00

MODEL: 80AFU25.5 / 27.5 / 25.5L / 27.5L

50Hz 3Ø



Dimensions—mm

Weight:kg

Model	d	A	B	C	D	E	F	G	H	I	WT1	Elbow (Flange)Set	DN	DB	DC	DD	(n)QTY	WT2
80AFU25.5	80	501	309	98	258	206	147	566	665	86	68	EB3-150A	80	150	185	15	8	12
80AFU27.5	80	501	309	98	258	206	147	566	665	86	74	EB3-150A	80	150	185	15	8	12
80AFU25.5L	80	506	314	98	273	242	199	618	717	122	70	EB3-150A	80	150	185	15	8	12
80AFU27.5L	80	506	314	98	273	242	199	618	717	122	76	EB3-150A	80	150	185	15	8	12

Dimensions—inch

Weight:lb

Model	d	A	B	C	D	E	F	G	H	I	WT1	Elbow (Flange)Set	DN	DB	DC	DD	(n)QTY	WT2
80AFU25.5	3	19 <sup>3</sup> / <sub>4</sub>	12 <sup>3</sup> / <sub>16</sub>	3 <sup>3</sup> / <sub>8</sub>	10 <sup>3</sup> / <sub>16</sub>	8 <sup>1</sup> / <sub>8</sub>	5 <sup>5</sup> / <sub>16</sub>	22 <sup>5</sup> / <sub>16</sub>	26 <sup>3</sup> / <sub>16</sub>	3 <sup>3</sup> / <sub>8</sub>	150	EB3-150A	3	5 <sup>15</sup> / <sub>16</sub>	7 <sup>7</sup> / <sub>16</sub>	5 <sup>15</sup> / <sub>16</sub>	8	26
80AFU27.5	3	19 <sup>3</sup> / <sub>4</sub>	12 <sup>3</sup> / <sub>16</sub>	3 <sup>3</sup> / <sub>8</sub>	10 <sup>3</sup> / <sub>16</sub>	8 <sup>1</sup> / <sub>8</sub>	5 <sup>5</sup> / <sub>16</sub>	22 <sup>5</sup> / <sub>16</sub>	26 <sup>3</sup> / <sub>16</sub>	3 <sup>3</sup> / <sub>8</sub>	163	EB3-150A	3	5 <sup>15</sup> / <sub>16</sub>	7 <sup>7</sup> / <sub>16</sub>	5 <sup>15</sup> / <sub>16</sub>	8	26
80AFU25.5L	3	19 <sup>5</sup> / <sub>16</sub>	12 <sup>3</sup> / <sub>16</sub>	3 <sup>3</sup> / <sub>8</sub>	10 <sup>3</sup> / <sub>16</sub>	9 <sup>1</sup> / <sub>2</sub>	7 <sup>7</sup> / <sub>16</sub>	24 <sup>3</sup> / <sub>16</sub>	28 <sup>3</sup> / <sub>16</sub>	4 <sup>1</sup> / <sub>8</sub>	154	EB3-150A	3	5 <sup>15</sup> / <sub>16</sub>	7 <sup>7</sup> / <sub>16</sub>	5 <sup>15</sup> / <sub>16</sub>	8	26
80AFU27.5L	3	19 <sup>5</sup> / <sub>16</sub>	12 <sup>3</sup> / <sub>16</sub>	3 <sup>3</sup> / <sub>8</sub>	10 <sup>3</sup> / <sub>16</sub>	9 <sup>1</sup> / <sub>2</sub>	7 <sup>7</sup> / <sub>16</sub>	24 <sup>3</sup> / <sub>16</sub>	28 <sup>3</sup> / <sub>16</sub>	4 <sup>1</sup> / <sub>8</sub>	168	EB3-150A	3	5 <sup>15</sup> / <sub>16</sub>	7 <sup>7</sup> / <sub>16</sub>	5 <sup>15</sup> / <sub>16</sub>	8	26

C.W.L.:Continuous Running Water Level  
L.W.L.:Lowest Running Water Level

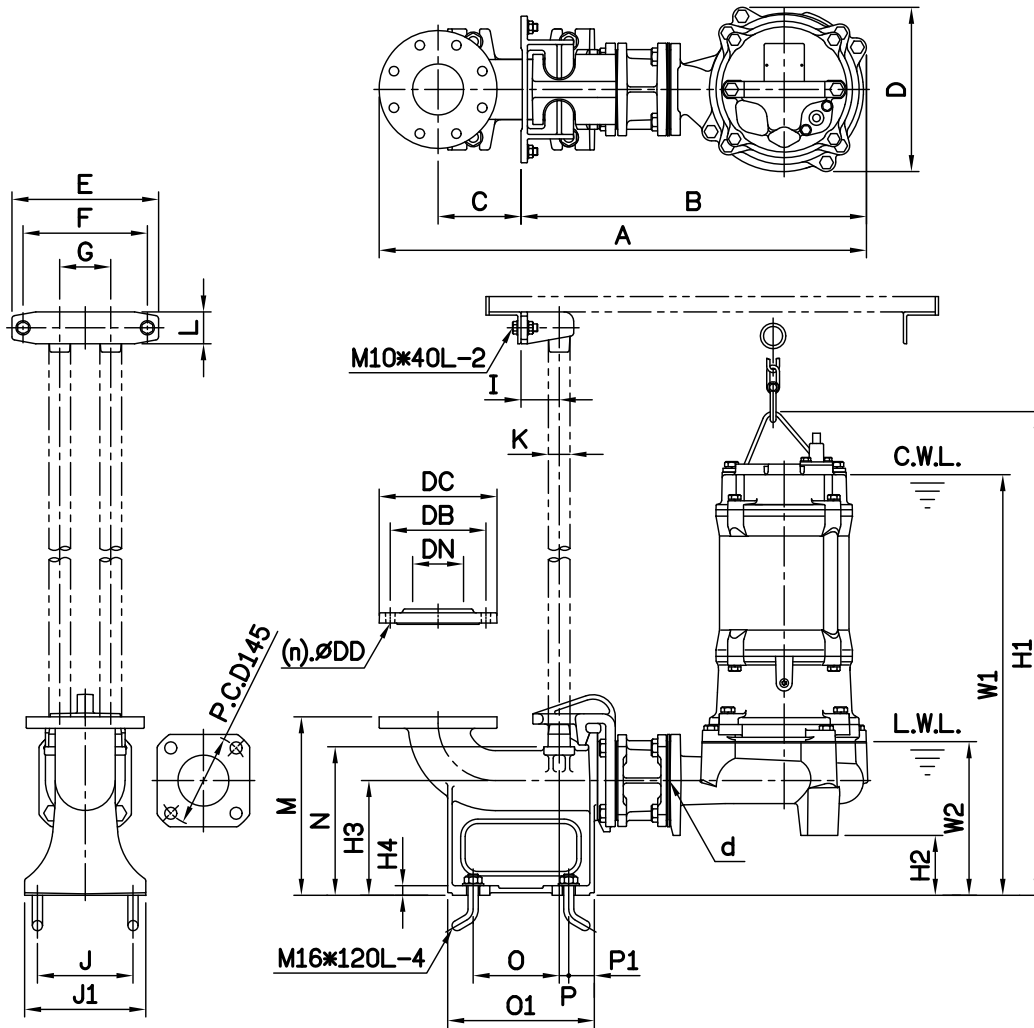
WT1:Pump Weight(Without Cable)  
WT2:Elbow Set Weight

## DIMENSIONS

NO: T3AFU275030-00

MODEL: 80AFU25.5 / 27.5 / 25.5L / 27.5L

50Hz 3Ø



Flange	
Female Thread	
PT	NPT

Dimensions-mm

Elbow (Flange)Set	DN	DB	DC	DD	(n)QTY
EF3-150	80	150	185	15	8

Dimensions-inch

Elbow (Flange)Set	DN	DB	DC	DD	(n)QTY
EF3-150	3	5 <sup>5</sup> / <sub>16</sub>	7 <sup>5</sup> / <sub>16</sub>	<sup>9</sup> / <sub>16</sub>	8

Dimensions-mm

Model	d	A	B	C	D	E	F	G	I	J	J1	K	L	M	N	O	O1	P	P1	W1	W2	H1	H2	H3	H4	WT1	Weight:kg	
																											GRS Set	WT2
80AFU25.5	80	764	542	130	258	230	195	80	60	150	190	1 <sup>1</sup> / <sub>4</sub> "	50	280	233	135	230	15	40	660	241	759	94	180	15	68	T80DH	31
80AFU27.5	80	764	542	130	258	230	195	80	60	150	190	1 <sup>1</sup> / <sub>4</sub> "	50	280	233	135	230	15	40	660	241	759	94	180	15	74	T80DH	31
80AFU25.5L	80	769	547	130	273	230	195	80	60	150	190	1 <sup>1</sup> / <sub>4</sub> "	50	280	233	135	230	15	40	676	257	775	58	180	15	70	T80DH	31
80AFU27.5L	80	769	547	130	273	230	195	80	60	150	190	1 <sup>1</sup> / <sub>4</sub> "	50	280	233	135	230	15	40	676	257	775	58	180	15	76	T80DH	31

Dimensions-inch

Model	d	A	B	C	D	E	F	G	I	J	J1	K	L	M	N	O	O1	P	P1	W1	W2	H1	H2	H3	H4	WT1	Weight:lb	
																											GRS Set	WT2
80AFU25.5	3	30 <sup>1</sup> / <sub>16</sub>	21 <sup>1</sup> / <sub>16</sub>	5 <sup>1</sup> / <sub>16</sub>	10 <sup>3</sup> / <sub>16</sub>	9 <sup>1</sup> / <sub>16</sub>	7 <sup>5</sup> / <sub>16</sub>	3 <sup>1</sup> / <sub>16</sub>	2 <sup>3</sup> / <sub>16</sub>	5 <sup>15</sup> / <sub>16</sub>	7 <sup>1</sup> / <sub>2</sub>	1 <sup>1</sup> / <sub>4</sub>	2	11	9 <sup>3</sup> / <sub>16</sub>	5 <sup>5</sup> / <sub>16</sub>	9 <sup>1</sup> / <sub>16</sub>	<sup>9</sup> / <sub>16</sub>	1 <sup>1</sup> / <sub>16</sub>	26	9 <sup>1</sup> / <sub>2</sub>	29 <sup>7</sup> / <sub>16</sub>	3 <sup>3</sup> / <sub>16</sub>	7 <sup>1</sup> / <sub>16</sub>	<sup>9</sup> / <sub>16</sub>	150	T80DH	68
80AFU27.5	3	30 <sup>1</sup> / <sub>16</sub>	21 <sup>1</sup> / <sub>16</sub>	5 <sup>1</sup> / <sub>16</sub>	10 <sup>3</sup> / <sub>16</sub>	9 <sup>1</sup> / <sub>16</sub>	7 <sup>5</sup> / <sub>16</sub>	3 <sup>1</sup> / <sub>16</sub>	2 <sup>3</sup> / <sub>16</sub>	5 <sup>15</sup> / <sub>16</sub>	7 <sup>1</sup> / <sub>2</sub>	1 <sup>1</sup> / <sub>4</sub>	2	11	9 <sup>3</sup> / <sub>16</sub>	5 <sup>5</sup> / <sub>16</sub>	9 <sup>1</sup> / <sub>16</sub>	<sup>9</sup> / <sub>16</sub>	1 <sup>1</sup> / <sub>16</sub>	26	9 <sup>1</sup> / <sub>2</sub>	29 <sup>7</sup> / <sub>16</sub>	3 <sup>3</sup> / <sub>16</sub>	7 <sup>1</sup> / <sub>16</sub>	<sup>9</sup> / <sub>16</sub>	163	T80DH	68
80AFU25.5L	3	30 <sup>3</sup> / <sub>4</sub>	21 <sup>1</sup> / <sub>16</sub>	5 <sup>1</sup> / <sub>16</sub>	10 <sup>3</sup> / <sub>4</sub>	9 <sup>1</sup> / <sub>16</sub>	7 <sup>5</sup> / <sub>16</sub>	3 <sup>1</sup> / <sub>16</sub>	2 <sup>3</sup> / <sub>16</sub>	5 <sup>15</sup> / <sub>16</sub>	7 <sup>1</sup> / <sub>2</sub>	1 <sup>1</sup> / <sub>4</sub>	2	11	9 <sup>3</sup> / <sub>16</sub>	5 <sup>5</sup> / <sub>16</sub>	9 <sup>1</sup> / <sub>16</sub>	<sup>9</sup> / <sub>16</sub>	1 <sup>1</sup> / <sub>16</sub>	26 <sup>5</sup> / <sub>16</sub>	10 <sup>1</sup> / <sub>16</sub>	30 <sup>1</sup> / <sub>2</sub>	2 <sup>1</sup> / <sub>16</sub>	7 <sup>1</sup> / <sub>16</sub>	<sup>9</sup> / <sub>16</sub>	154	T80DH	68
80AFU27.5L	3	30 <sup>3</sup> / <sub>4</sub>	21 <sup>1</sup> / <sub>16</sub>	5 <sup>1</sup> / <sub>16</sub>	10 <sup>3</sup> / <sub>4</sub>	9 <sup>1</sup> / <sub>16</sub>	7 <sup>5</sup> / <sub>16</sub>	3 <sup>1</sup> / <sub>16</sub>	2 <sup>3</sup> / <sub>16</sub>	5 <sup>15</sup> / <sub>16</sub>	7 <sup>1</sup> / <sub>2</sub>	1 <sup>1</sup> / <sub>4</sub>	2	11	9 <sup>3</sup> / <sub>16</sub>	5 <sup>5</sup> / <sub>16</sub>	9 <sup>1</sup> / <sub>16</sub>	<sup>9</sup> / <sub>16</sub>	1 <sup>1</sup> / <sub>16</sub>	26 <sup>5</sup> / <sub>16</sub>	10 <sup>1</sup> / <sub>16</sub>	30 <sup>1</sup> / <sub>2</sub>	2 <sup>1</sup> / <sub>16</sub>	7 <sup>1</sup> / <sub>16</sub>	<sup>9</sup> / <sub>16</sub>	168	T80DH	68

C.W.L.:Continuous Running Water Level  
L.W.L.:Lowest Running Water Level

WT1:Pump Weight(Without Cable)  
WT2:GRS Set Weight

