

HCP PUMP

Model	80AFC22.2
Series	AFC
Frequency	50
Phase	3
Discharge	80 mm



Motor Data

Input Power—P1	2.95 kW
Rated Power—P2	2.2 kW
Insulation Class	F
Voltage Range	200~525V
Max. Starts Per Hour	10
Rated Speed (rpm)	2840
Start Method	DOL
Ingress Protection Code	DOL
Explosion-Proof	IP68

Technology

Impeller Type	Open
Mechanical Seal	Double
Lubricating Oil VG32	850 CC
Solid Passage	62 mm
Cooling Type	External cooling

Material

Motor Frame	FC200
Shaft	SUS403
Casing	FC200
Impeller	FC200+Tungsten
Mechanical Seal	CA/CE&SiC/SiC
Cable	VCT,H07RN-F
Upper and Lower Bearing	6204ZZ,6305ZZ

Liquid

Maximum Ambient Temperature	0~40°C
Maximum Installation Depth	20 m
Highest Liquid Temperature	40 °C
Liquid Transported	Sewage

Others

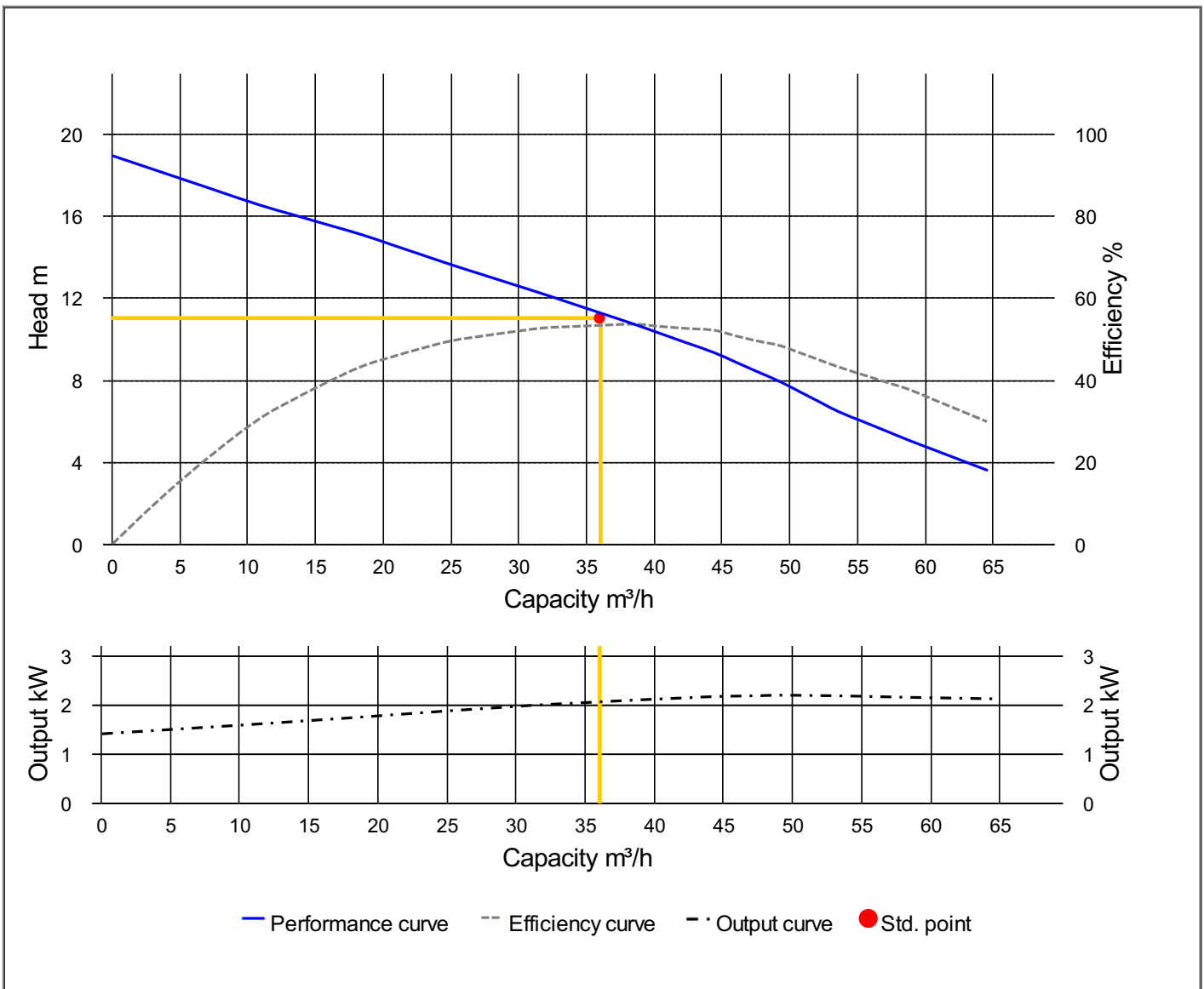
Protection Device	Auto-cut Protector
Moisture Sensor	



HCP PUMP

PUMP PERFORMANCE CURVES

Model	80AFC22.2	File NO.	20210125215247
Frequency	50 Hz	Ver NO.	202003060911
Discharge	3" / 80 mm	REFERENCE SPECIFICATION	
Output	3 HP / 2.2 kW	Output	2.06 kW
Std. Head	11 m	Efficiency	53.3 %
Std. Capacity	36 m ³ /h		
Phase / Volt	3 Ø / 380 V		
Rated Current	5.10 A		
Pole / rpm	2 P / 2840 rpm		
Start Method	DOL		
Insulation Class	F		

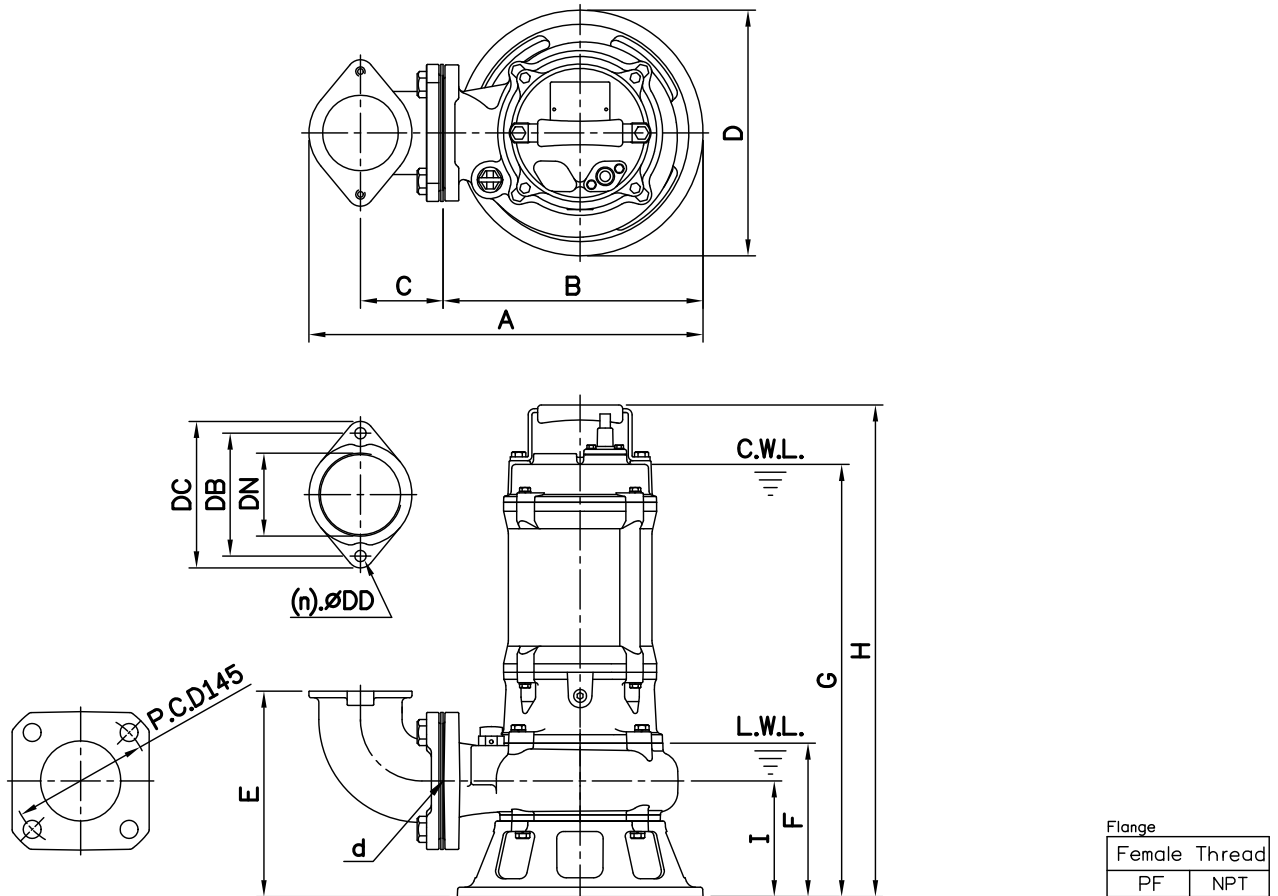


DIMENSIONS

NO: S3AFC222032-00

MODEL: 80AFC21.5 / 22.2

1Ø / 3Ø



Dimensions-mm

Weight:kg

Model	d	A	B	C	D	E	F	G	H	I	WT1	Elbow (Flange)Set	DN	DB	DC	DD	(n)QTY	WT2	
80AFC21.5	1Ø	80	417	275	88	260	218	163	513	576	123	37	EB3-130	80	130	155	12	2	5
80AFC21.5	3Ø	80	417	275	88	260	218	163	458	521	123	33	EB3-130	80	130	155	12	2	5
80AFC22.2	1Ø	80	417	275	88	260	218	163	540	603	123	40	EB3-130	80	130	155	12	2	5
80AFC22.2	3Ø	80	417	275	88	260	218	163	458	521	123	35	EB3-130	80	130	155	12	2	5

Dimensions-inch

Weight:lb

Model	d	A	B	C	D	E	F	G	H	I	WT1	Elbow (Flange)Set	DN	DB	DC	DD	(n)QTY	WT2	
80AFC21.5	1Ø	3	16 ⁷ / ₁₆	10 ³ / ₁₆	3 ³ / ₁₆	10 ¹ / ₄	8 ⁸ / ₁₆	6 ⁷ / ₁₆	20 ³ / ₁₆	22 ³ / ₁₆	4 ¹ / ₁₆	82	EB3-130	3	5 ¹ / ₈	6 ¹ / ₈	1/2	2	11
80AFC21.5	3Ø	3	16 ⁷ / ₁₆	10 ³ / ₁₆	3 ³ / ₁₆	10 ¹ / ₄	8 ⁸ / ₁₆	6 ⁷ / ₁₆	18 ¹ / ₁₆	20 ³ / ₁₆	4 ¹ / ₁₆	73	EB3-130	3	5 ¹ / ₈	6 ¹ / ₈	1/2	2	11
80AFC22.2	1Ø	3	16 ⁷ / ₁₆	10 ³ / ₁₆	3 ³ / ₁₆	10 ¹ / ₄	8 ⁸ / ₁₆	6 ⁷ / ₁₆	21 ¹ / ₄	23 ³ / ₁₆	4 ¹ / ₁₆	88	EB3-130	3	5 ¹ / ₈	6 ¹ / ₈	1/2	2	11
80AFC22.2	3Ø	3	16 ⁷ / ₁₆	10 ³ / ₁₆	3 ³ / ₁₆	10 ¹ / ₄	8 ⁸ / ₁₆	6 ⁷ / ₁₆	18 ¹ / ₁₆	20 ³ / ₁₆	4 ¹ / ₁₆	77	EB3-130	3	5 ¹ / ₈	6 ¹ / ₈	1/2	2	11

C.W.L.:Continuous Running Water Level
L.W.L.:Lowest Running Water Level

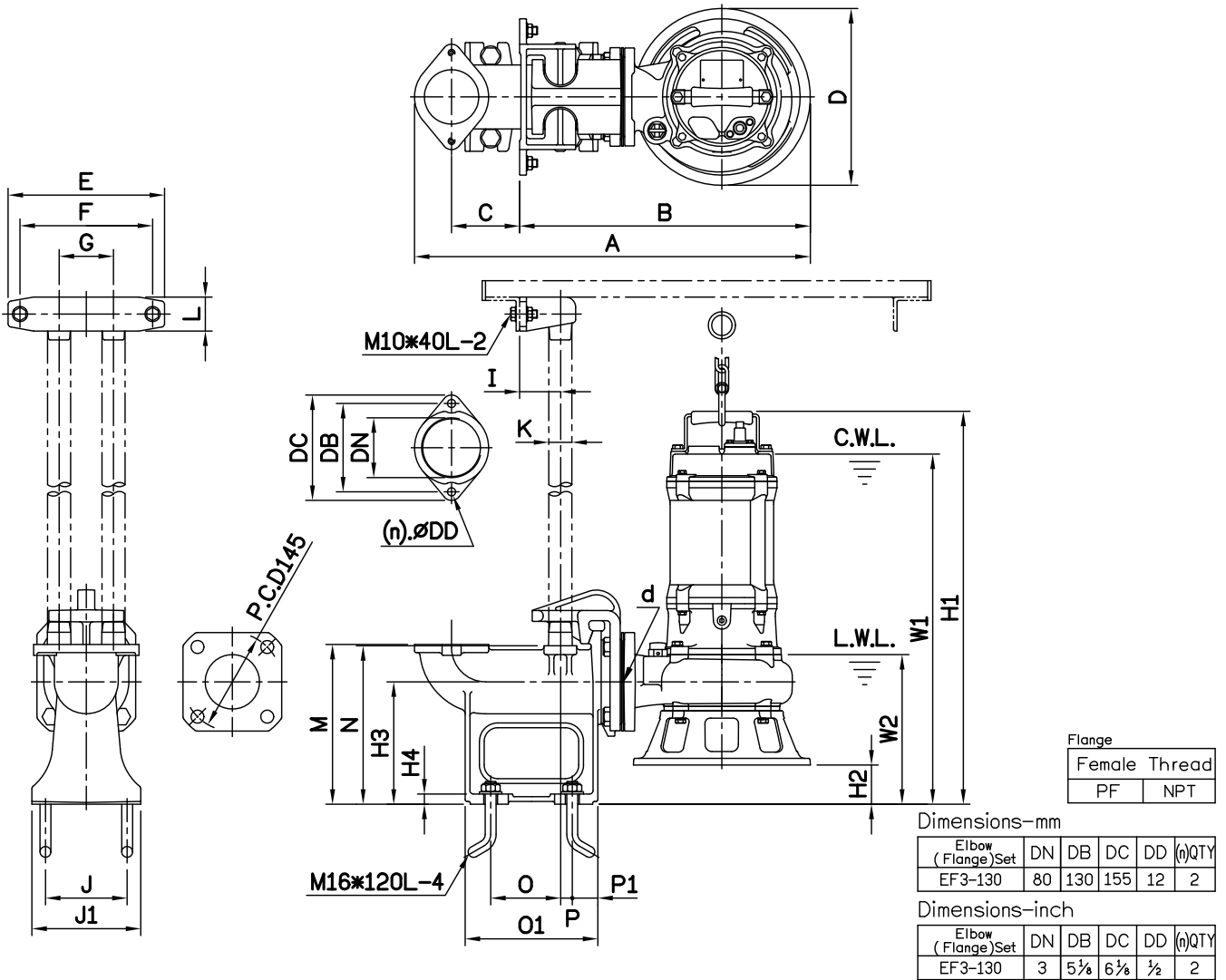
WT1:Pump Weight(Without Cable)
WT2:Elbow Set Weight

DIMENSIONS

NO: T3AFC222032-00

MODEL: 80AFC21.5 / 22.2

1Ø / 3Ø



Dimensions—mm

Weight:kg

Model	d	A	B	C	D	E	F	G	I	J	J1	K	L	M	N	O	O1	P	P1	W1	W2	H1	H2	H3	H4	WT1	GRS Set	WT2
80AFC21.5 1Ø	80	582	427	100	260	230	195	80	60	120	160	1 1/4	50	235	233	103	195	18	38	597	220	660	57	180	15	37	T2-80	20
80AFC22.2 1Ø	80	582	427	100	260	230	195	80	60	120	160	1 1/4	50	235	233	103	195	18	38	570	220	633	57	180	15	40	T2-80	20
80AFC21.5 3Ø	80	582	428	100	260	230	195	80	60	120	160	1 1/4	50	235	233	103	195	18	38	515	220	578	57	180	15	33	T2-80	20
80AFC22.2 3Ø	80	582	428	100	260	230	195	80	60	120	160	1 1/4	50	235	233	103	195	18	38	515	220	578	57	180	15	35	T2-80	20

Dimensions—inch

Weight:lb

Model	d	A	B	C	D	E	F	G	I	J	J1	K	L	M	N	O	O1	P	P1	W1	W2	H1	H2	H3	H4	WT1	GRS Set	WT2
80AFC21.5 1Ø	3	22 5/8	16 3/8	3 7/8	10 1/4	9 1/8	7 1/4	3 1/8	2 3/8	4 3/4	6 3/8	1 1/4	1 5/8	9 3/4	9 3/8	4 1/8	7 1/2	1 1/8	1 1/2	23 1/2	8 1/8	26	2 1/4	7 1/8	9/16	82	T2-80	43
80AFC22.2 1Ø	3	22 5/8	16 3/8	3 7/8	10 1/4	9 1/8	7 1/4	3 1/8	2 3/8	4 3/4	6 3/8	1 1/4	1 5/8	9 3/4	9 3/8	4 1/8	7 1/2	1 1/8	1 1/2	22 7/8	8 1/8	24 15/16	2 1/4	7 1/8	9/16	88	T2-80	43
80AFC21.5 3Ø	3	22 5/8	16 3/8	3 7/8	10 1/4	9 1/8	7 1/4	3 1/8	2 3/8	4 3/4	6 3/8	1 1/4	2	9 3/4	9 3/8	4 1/8	7 1/2	1 1/8	1 1/2	20 3/4	8 1/8	22 3/4	2 1/4	7 1/8	9/16	73	T2-80	43
80AFC22.2 3Ø	3	22 5/8	16 3/8	3 7/8	10 1/4	9 1/8	7 1/4	3 1/8	2 3/8	4 3/4	6 3/8	1 1/4	2	9 3/4	9 3/8	4 1/8	7 1/2	1 1/8	1 1/2	20 3/4	8 1/8	22 3/4	2 1/4	7 1/8	9/16	77	T2-80	43

C.W.L.:Continuous Running Water Level
L.W.L.:Lowest Running Water Level

WT1:Pump Weight(Without Cable)
WT2:GRS Set Weight

